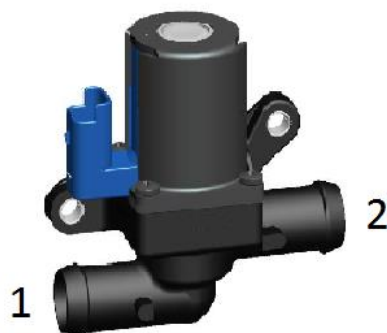


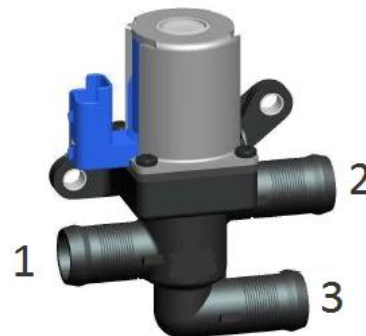
Solenoid valves: 2 and 3-way connection schema

Liquid flow



900102 – 2-way valve
Normally closed - No flow

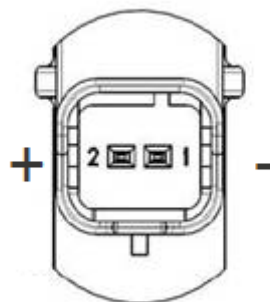
Electricity applied: Flow from 1 -> 2



900114 – 3-way valve
Normally closed - Flow from 1 -> 2

Electricity applied: Flow from 1 -> 3

Electrical connection



Ensure that 1 is always connected to negative, and 2 is always connected to positive.

Positive side is closest to the bracket.

NOTE: If the polarity is switched, the valve will burn out.