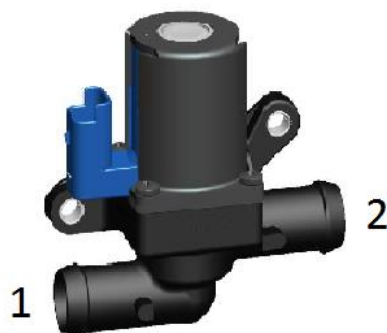


Solenoid valves: 2 and 3-way connection schema

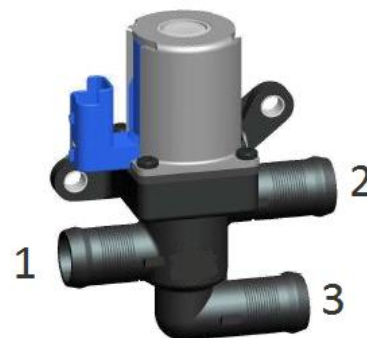
Liquid flow



900102 – 2-way valve

Normally closed - No flow

Electricity applied: Flow from 1 -> 2

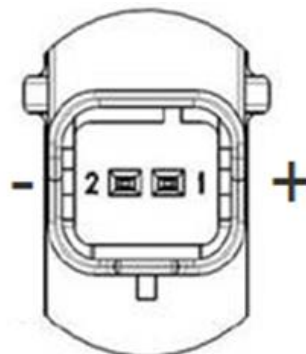


900114 – 3-way valve

Normally closed - Flow from 1 -> 2

Electricity applied: Flow from 1 -> 3

Electrical connection



Ensure that 1 is always connected to positive, and 2 is always connected to negative.

Positive side is closest to the bracket.

NOTE: If the polarity is switched, the valve will burn out.